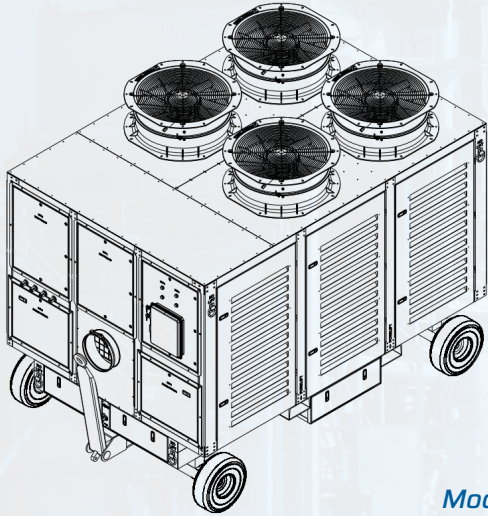


Woman Owned Small Business

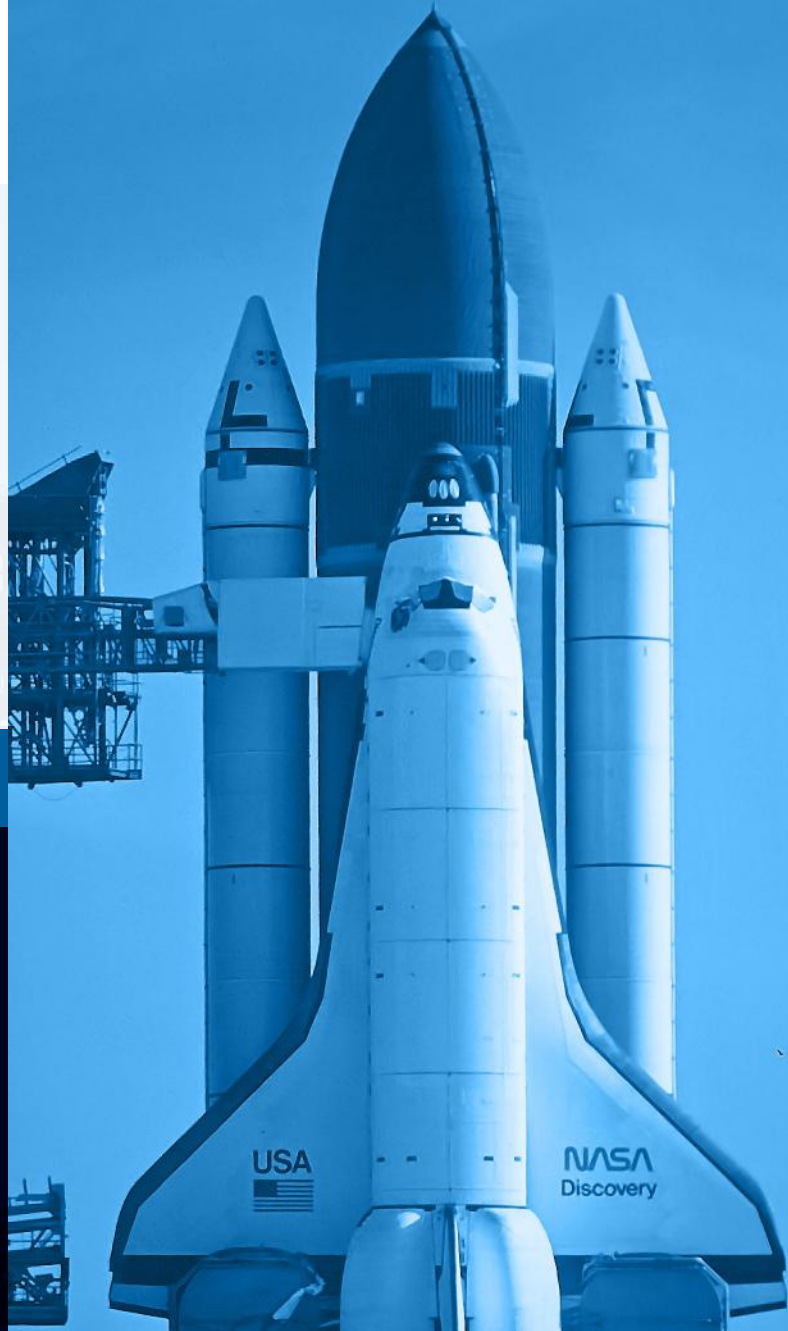


Model AC544-310

## FEATURES

- Cooling, Heating, Humidity Control, and Filtering to Meet Payload Requirements
- Control Touchscreen Panel with Custom Graphical User Interface
- Supply Airflow and Air Temperature Adjustable at a Set Point
- Capacity Control to Overcome Environmental Loads and Provide Precise Supply Conditions
- VFD Driven or Electronically Commutated Fans for High Efficiency and Configurability
- Redundant Subsystems with Automatic Transfer on Failure
- System Health Monitoring and Reporting
- Military-Spec Ruggedized Design with Forklift Skid Points
- Designed for End-User Maintenance and Sustainment Simplicity
- Server and Sensor Hydrocarbon Rack Enclosure (with AC Unit)

## AEROSPACE PRE-LAUNCH/ PAYLOAD COOLING SYSTEMS



## APPLICATIONS

AEROSPACE

COMMERCIAL

DEFENSE

TRANSPORT

MARITIME

MOBILE PAYLOAD

MOBILE CLEANROOM

CUSTOM

# SPECIFICATIONS

*Systems are customizable to any customer design specifications and requirements!*

REFRIGERANT	R407C, R134A, R410A
VOLTAGE	208VAC/230VAC, 3ph, 50/60Hz OR 400VAC/480VAC, 3ph, 50/60Hz
SUPPLY AIRFLOW & PRESSURE	Customized to meet system requirements
SUPPLY AIR TEMPERATURE	40°F to 100°F
SUPPLY AIR TEMPERATURE TOLERANCE	+1°F (does it have a -)
SUPPLY AIR DEWPOINT	(Refrigeration only) Down to 40°F
SUPPLY AIR FILTRATION	Up to 99.97% of particles that are 0.3 microns
PACKAGE TYPE	Pallet, Trailer, Integrated, Optional Integrated Power Generator

## ABOUT OUR SYSTEMS

Our Aerospace Pre-Launch/ Payload Climate Control Systems are products specifically designed to support customer's unique pre-launch or payload thermal management specifications.

These mobile ground support systems are outfitted with redundant cooling capacity and are designed and built with military-grade durability at a commercial cost. They are energy-efficient and provide the customer with state-of-the-art engineering for the stringent demands prior to space missions!

## ABOUT APPLIED COMPANIES

### CORE CAPABILITIES

Control Systems

Analyses

Testing

Spare Parts

Service & Support

Engineering

Manufacturing

EMI/HEMP Protection

Procurement

Training

Refurbishment

### HEADQUARTERS

28020 Avenue Stanford  
Valencia, CA

### ALABAMA

4820 Commercial Dr. NW  
Huntsville, AL

800 • 799 • 6194

Info@AppliedCompanies.net  
www.AppliedCompanies.net

