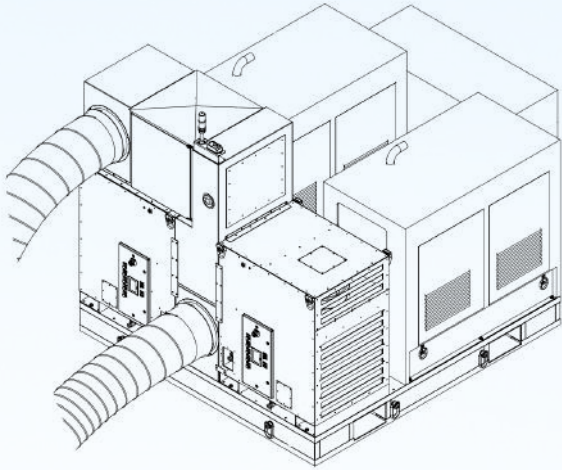


Woman Owned Small Business



### AC586-36

Cleanroom: Redundant, Dual Generator, Dual ECU, Palletized Payload Conditioning System

### Features

- Silicon Controlled Rectifier (SCR) Controlled Heaters
- Positive Pressure Control
- Controls: Programmable Logic Control (PLC)
- Precision Temperature Control of Payload Environment
- Dehumidification Mode for Humid Environments
- Remote Control & Monitoring with Fault Reporting Through Webpage Interface
- Filtration: HEPA Series 99.97% Efficiency on .3 Micrometers
- Shock/Vibration: Designed to Survive Transportation Loads
- Cleanroom ISO Class 1-9

### APPLICATIONS

AEROSPACE

COMMERCIAL

DEFENSE

TRANSPORT

MARITIME

MOBILE PAYLOAD

MOBILE CLEANROOM

CUSTOM

# SPECIFICATIONS

*Systems are customizable to any customer design specifications and requirements!*

<b>DIMENSIONS</b>	SYSTEM: 100 in x 96 in x 99 in; ECU: 39 in x 30 in x 49 in
<b>REFRIGERANT</b>	R410A
<b>VOLTAGE</b>	208VAC, 3ph, 60Hz
<b>OPERATING TEMPERATURE</b>	-20°F to 112°F
<b>GENERATOR FUEL TANK</b>	51.5 Gal
<b>GENERATOR OUTPUT</b>	15 KW AT 112°F Ambient
<b>ECU COOLING CAPACITY</b>	36,000 BTU/HR at 112°F Ambient
<b>ECU HEATING CAPACITY</b>	10.8 kW
<b>ECU AIRFLOW</b>	1,400 cfm circulated / 45 cfm fresh
<b>COMPRESSOR AND FANS</b>	Variable Speed
<b>SYSTEM POWER CONSUMPTION</b>	Venting: 1.2 kW; Cooling: 8.4 kW; Heating: 11.2 kW; Dehumidification: 13.4 kW

## ABOUT OUR SYSTEMS

Our Satellite Support Systems are specifically designed to support customer's unique requirements for temperature, humidity, air purity and pressure for transportation of satellites or other sensitive equipment.

These mobile ground support systems are outfitted with redundant cooling capacity and are designed and built with military-grade durability at a commercial cost. They are energy-efficient and provide the customer with state-of-the-art equipment for mission support!

## ABOUT APPLIED COMPANIES

### CORE CAPABILITIES

Control Systems

Analyses

Testing

Spare Parts

Service & Support

Engineering

Manufacturing

EMI/HEMP Protection

Procurement

Training

Refurbishment

### HEADQUARTERS

28020 Avenue Stanford  
Valencia, CA

### ALABAMA

4820 Commercial Dr. NW  
Huntsville, AL

800 • 799 • 6194

Info@AppliedCompanies.net  
www.AppliedCompanies.net

